

Features

- 6 hydromassage jets can be individually adjusted for water flow and direction.
- Variable-speed pump for adjusting hydromassage intensity.
- Adjustable neckjet pillow with 2 jets provides a stimulating, stress-relieving neck massage.
- 10 backjets target the lower back and shoulders to relieve tension and encourage deep breathing.
- Built-in heater.
- Lighted keypad control.
- Remote control.
- Generous length provides a spacious bathing area.
- Drilled for grab bars (required); sold separately.
- Coordinates with other products in the Memoirs collection.

Material

- Acrylic.

Hydrotherapy

- Whirlpool.
- Neckjets.
- Backjets.

Installation

- Drop-in.

Required Products/Accessories

K-9653 Grab Bars

Recommended Products/Accessories

K-1491 Bath/Whirlpool Pillow
K-1601 Bath/whirlpool footstop, removable
K-7161-AF 1-1/2" adjustable pop-up drain above- or through-floor
K-24916 Wireless Music Kit
K-9696 Whirlpool 6-Jet Trim Kit
K-23726 Drain treatment
K-23732 Tub & shower cleaner



Codes/Standards




ASME A112.19.7/CSA B45.10
CSA B45.5/IAPMO Z124
ASTM E162
ASTM E662
UL 1795
CSA C22.2 No. 218.2

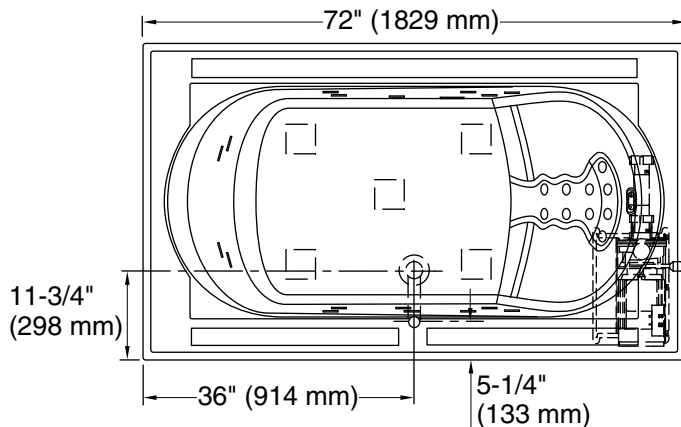
KOHLER® Plastic Baths and Receptors Lifetime Limited Warranty
KOHLER® Hydrotherapy Components Five-Year Limited Warranty

See website for detailed warranty information.

Available Colors/Finishes

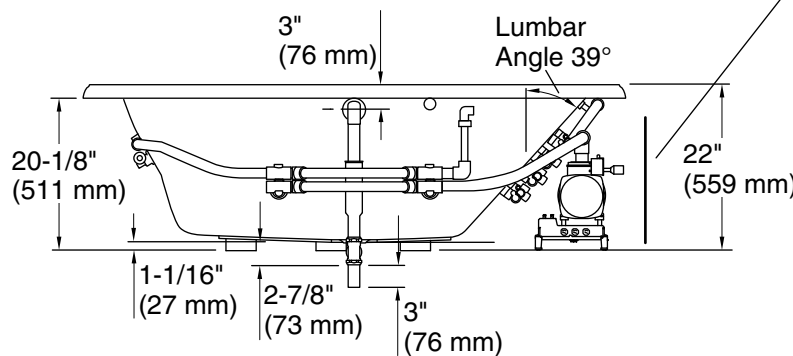
Color tiles intended for reference only.

Color	Code	Description
	0	White
	96	Biscuit
	NY	Dune

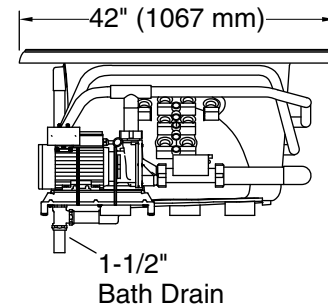


No change in measurement if connected with drain illustrated. (K-7161-AF)

Recommended Faucet Location



Pump/Control Access
34" (864 mm) W x 15" (381 mm) H



Required Electrical Service

One dedicated circuit required, protected with Class A Ground-Fault Circuit-Interrupter (GFCI). Outside North America, this device may be known as a Residual Current Device (RCD).

Pump, Heater: 240 V, 20 A, 50/60 Hz

Technical Information

All product dimensions are nominal.

Installation: Drop-in
 Drain location: Center
 Basin area, bottom: 41-3/4" x 27-3/16" (1060 mm x 691 mm)
 Basin area, top: 60" x 30" (1524 mm x 762 mm)
 Weight: 140 lbs (63.5 kg)
 Minimum floor load: 44 lbs/ft² (214.8 kg/m²)
 Water depth: 16" (406 mm)
 Water capacity: 86 gal (325.5 L)
 Cutout: Drop-in, 70-1/2" x 40-1/2" (1791 mm x 1029 mm)
 Electrical component rating: Pump: 240 V, 11 A, 50/60 Hz, 1500 W
 Heater: 240 V, 50/60 Hz, 1500 W
 Pump speed: Variable

Notes

Measure your actual product for rough-in details.

Install this product according to the installation instructions.

The hot water supply should be 70% of the capacity of the bath or greater. Installations will vary.

This whirlpool is designed for drop-in installation only. It is not suited for use in a three wall alcove with an overhead shower.

If installing a rim-mount faucet, make sure there is no interference above or below the deck before drilling any holes.